

A crowd of people is silhouetted against a dark background filled with vibrant green stage lights. In the foreground, a person's arm is raised, holding a smartphone high to capture a photo or video of the scene. The phone's screen shows a bright, glowing image, likely of the stage. The overall atmosphere is energetic and modern.

**twenty**

PRODUCTS THAT CONNECT THE WORLD

7twenty.tech



7Twenty is a world class company that is customer and solution driven. We use innovative and unique skill sets to stand out from our competitors.

#### Expert Connectivity Products:

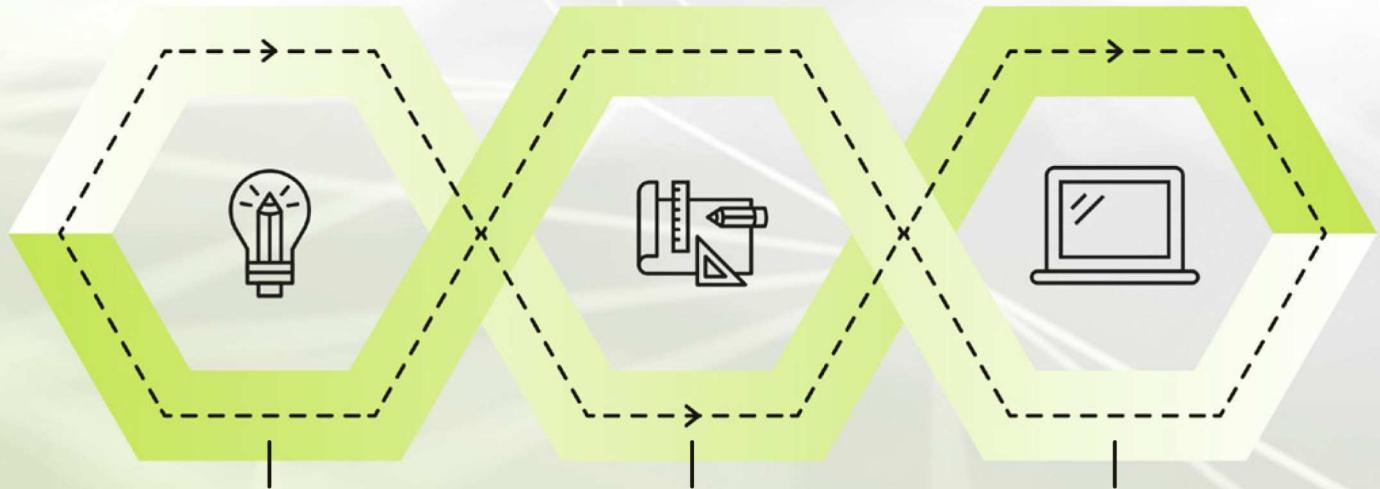
Our products support the installation and connectivity of fiber optic networks, focusing on functionality, cost-saving and rapid deployment.

#### Complete, Custom Solutions:

A dedicated team of industrial designers, toolmakers and a state-of-the-art injection moulding facility enables us to ideate, design and manufacture your connectivity needs. The results are practical, beautiful solutions that reduce the total cost of ownership of network builds.

Next generation, fit-for-purpose  
telecom solutions

# OUR PROCESS



## Concept Ideation

We conceptualise and innovate around your brief, considering practical and economic viability and longevity.

## Design and Prototype

On approval of design, we create a prototype for testing. After robust evaluation and feedback final designs are updated.

R&D is crucial and this step may involve several iterations to ensure exceptional quality.

## Tool and Manufacture

The magic happens as your product comes to life through 3D designs. Samples are assessed and refined and your product manual is collated. Production can begin

# OUR VISION IS VAST

A globally recognised organisation, known for building the future.

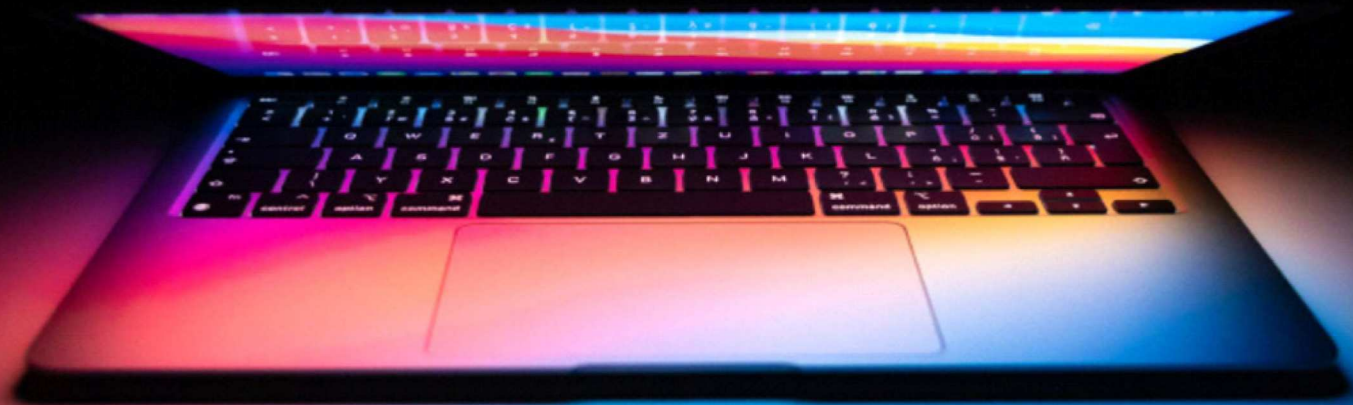
A trusted, shared-value partner to network operators and installers around the world.

Flexible, functional first-class products, impeccably executed through our design, development and manufacturing capabilities.

Unrivalled, adaptable, rapidly-deployed solutions that reduce the total cost of ownership of network builds.

An evolving, iterative, entrepreneurial culture

# OUR PRODUCT PORTFOLIO



# M4 MICROLOOP ENCLOSURE

A ROBUST MULTIFUNCTIONAL ENCLOSURE IDEAL FOR FTTX MASS DEPLOYMENT.



# M4 MICROLOOP ENCLOSURE

A ROBUST MULTIFUNCTIONAL ENCLOSURE IDEAL FOR FTTX MASS DEPLOYMENT.



## Features

- The design and material used for the FTtx MicroLoop Enclosure provides ruggedness required for FTtx mass deployment and is suitable for wall mount or placement inside underground chambers.
- Available with or without a barrel lock for security.
- Optional customer branding can be provided on the lid.
- The enclosure's lid opens upward and contains a self supporting hinge to allow the lid to remain in the open position while accessing the inner cable assembly.
- The inner cable assembly can easily be removed for preparation and maintenance work away from the main body, for example: in wall mount applications.
- There is a continuous seal formed around the inner cable assembly to ensure IP68 sealing. The seal incorporates the master seal, as well as the cable entry seals. Cable entries are formed in the seal and ranges from 2-4mm or 4-6mm cable diameters.
- The loop storage basket is designed to provide quick access to pack away the bare fiber loop with a capacity to store <70m of 250µm bare
- The splice tray contains a splice bay for 10 off 2.4 x 45mm heat shrink splice protectors double stacked and a PLC splitter bay for either bare fiber or pre-connectorized 900µ PLC Splitter modules. The splice tray hinges upwards and remains in position allowing unhindered access to the loop storage tray. Once the splice tray is returned to the resting point, there are two clips securing the tray in place.
- The inner enclosure assembly can only be fitted into the main body with the loop storage area facing towards the back. This provides protection to the primary looped fiber upon opening of the enclosure.
- The FTtx MicroLoop Enclosure was designed with a maximum bend radius of 10mm and it is recommended for use with enhanced bend insensitive fibers such as G657.A1, G657.A2/B2.
- The drop cable entry side of the enclosure has two plate options. An adapter plate for 4 x SC simplex adapters (flangeless) or LC duplex or a bare management plate.



# M4 MICROLOOP ENCLOSURE

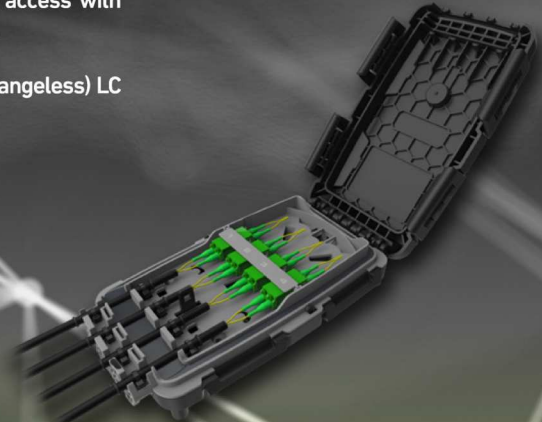
A ROBUST MULTIFUNCTIONAL ENCLOSURE IDEAL FOR FTTX MASS DEPLOYMENT.

As part of our Rapid Deployment System, the M4 Microloop Enclosure is equipped for mid-span access with integrated bare fiber loop storage. It facilitates up to 4 drop cables either pre-connectorized or sliced.

The M4 drop cable entry side has two plate options: An adaptor plate for 4 x SC simplex adaptors (flangeless) LC duplex or a bare fibre management plate.

## Features

- The Enclosure's lid opens upward and contains a self supporting hinge to allow the lid to remain in an open position whilst accessing the inner cable assembly.
- The inner cable assembly can easily be removed for preparation and maintenance work. This is ideal for mounting applications.



- The M4 was designed for a maximum fiber bend radius of 10 mm and is recommended for G657. A1 and G657.A2. There's an optional barrel lock for security.
- The splice tray accommodates a single PLC Splitter whether pre-connectorized or bare fiber from 1:2 to 1:8. It contains a splice tray bay for 10 off 2.4 x 455 mm heat shrink splice protectors double stacked.
- A continuous gel seal incorporates cable entries and the enclosure seals to an IP68 rating.
- It is ideal for wall and pole mounting and suitable for placement in manhole chambers or boundary access point.





# M8 MICROLOOP ENCLOSURE

IDEAL FOR BOTH AERIAL AND UNDERGROUND NETWORK APPLICATIONS



# M8 MICROLOOP ENCLOSURE

IDEAL FOR BOTH AERIAL AND UNDERGROUND NETWORK APPLICATIONS

The M8 facilitates up to 8 customer drops from a single node, which reduces implementation costs to reach more homes.

## Features

- 2 x network cable entry ports with strength member & aramid fixation.
- Removable pole mount brackets enables the enclosure to be directly mounted to transmission poles.
- Wall mounting points under the cover for improved security.
- External padlock staples to fit conventional padlocks for maximum security.
- Improved toggle clamps that are tamper resistant.
- 8 x Drop cable exit ports up to 6mm with adapter plate to fit 4 SC simplex or 4 LC duplex adapters.
- Option of 2 x 12F splice trays with PLC splitter bay per tray; or a high-density 1 x 48F splice tray which incorporates 1 x PLC Splitter Bay.
- PLC splitter bay houses a small form module for bare fiber or 900µm tails.



# M16 MICROLOOP ENCLOSURE

THE ULTIMATE SOLUTION FOR YOUR RAPID FTTX DEPLOYMENT.



# M16 MICROLOOP ENCLOSURE

THE ULTIMATE SOLUTION FOR YOUR RAPID FTTX DEPLOYMENT.

This compact enclosure handles conventional ADSS cables effortlessly and features 16 dropcable exit ports. Perfect for aerial networks, it's engineered to streamline and boost connectivity.



## Features

- The M16 is perfect for serving as a break enclosure, providing a reliable and efficient solution for repairing damaged cables.
- This enclosure comes with a versatile adaptor plate, accommodating 8 SC simplex or 8LC duplex adaptors.
- The M16 features 4 network cable entry ports, with 2 dedicated for connecting houses and the 3rd acting as a spur to link to another microloop enclosure. Complete with strength member and aramid yarn fixation, it ensures secure and reliable connections.
- Includes 1x 24F splice tray with 1x PLC splitter bay and 1x 48F splice tray which incorporates 2x PLC splitter bays.



# M32 SUBSCRIBER NODE

A SINGLE ENCLOSURE IDEAL FOR AERIAL NETWORK APPLICATIONS. RATED AT IP55



# M32 SUBSCRIBER NODE

A SINGLE ENCLOSURE IDEAL FOR AERIAL NETWORK APPLICATIONS. RATED AT IP55

A compact and secure solution for installing pre-terminated drop cables for ftx applications, offering up to 32 drop cable customer connections, from a single Enclosure.



## Features

- Accommodates up to 72 splices with heat-shrink splice protector compatibility.
- Hinged fiber management tray supports 1x2, 1x4, 1x16, and 1x32 PLC splitters.
- Flexible cable management with 4 drop cable grommets (8 ports each) for 32 cables (2.5mm-5mm).
- 4 network ports for cables from 5mm-16mm.
- Reliable fixation for drop cables (cable ties) and network cables (hose clamps).
- Separation of splicing and customer drop connections for streamlined organization.



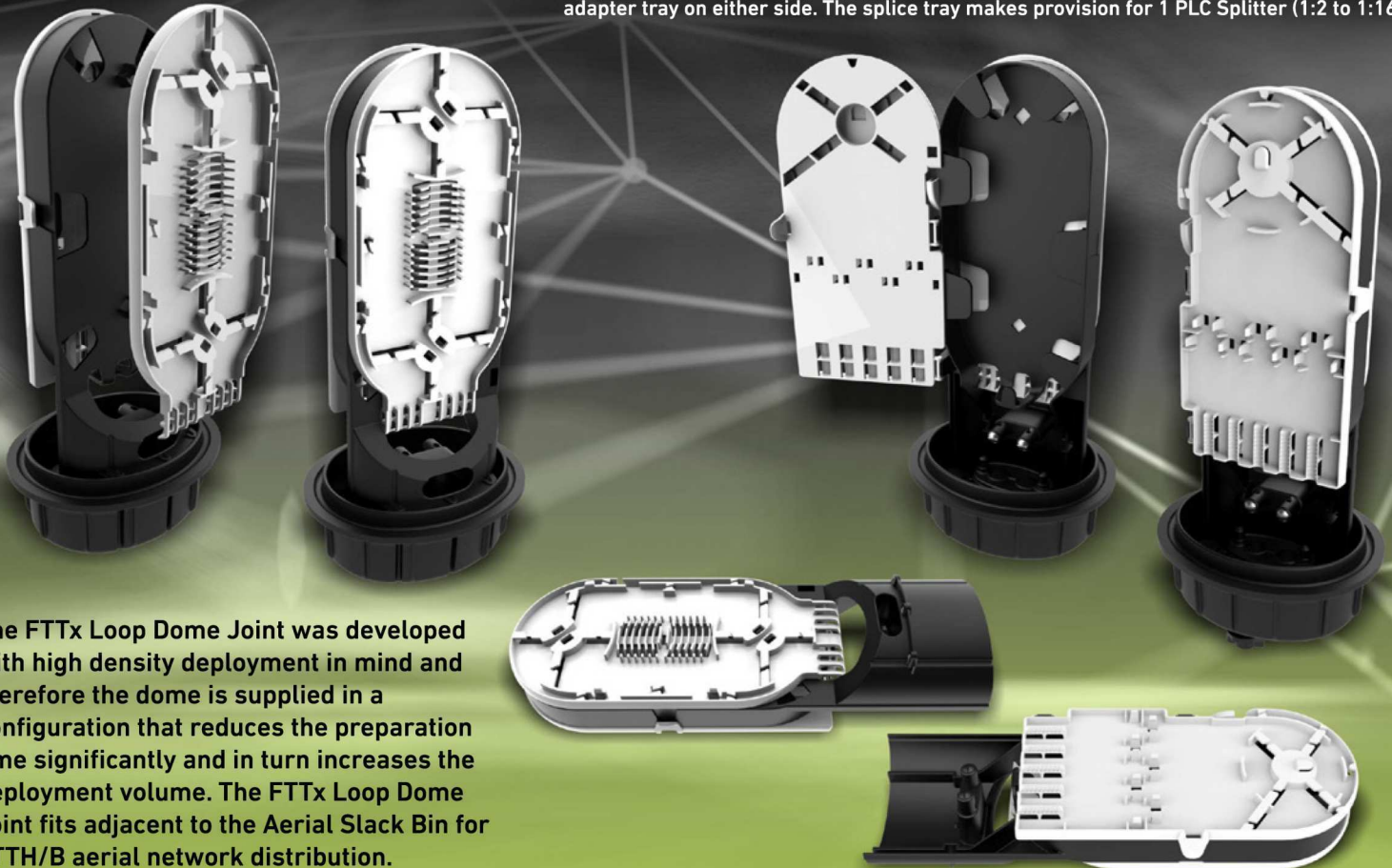
# LOOP DOME JOINT



# LOOP DOME JOINT

INTERNAL COMPONENTS

The FTTx Loop Dome Joint is a versatile splice enclosure deployed in FTTx networks and incorporates mid-span access, loop storage and a patch plate for pre-terminated drop cable. The base comprises 5 round port entries and a single oval port entry. A loop storage basket is positioned between a 12F single element splice tray and a 5 x SC SX (or 5 x LC DX) adapter tray on either side. The splice tray makes provision for 1 PLC Splitter (1:2 to 1:16).



The FTTx Loop Dome Joint was developed with high density deployment in mind and therefore the dome is supplied in a configuration that reduces the preparation time significantly and in turn increases the deployment volume. The FTTx Loop Dome Joint fits adjacent to the Aerial Slack Bin for FTTH/B aerial network distribution.



# LOOP DOME JOINT

## INTERNAL COMPONENTS



Oval Port Gland Assembly



Dual Port Gland



Pole Mount Bracket Assembly



Seal Clamp & Bracket Mount Assembly

## Features

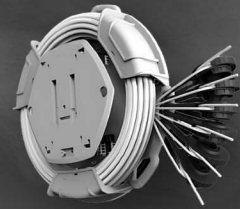
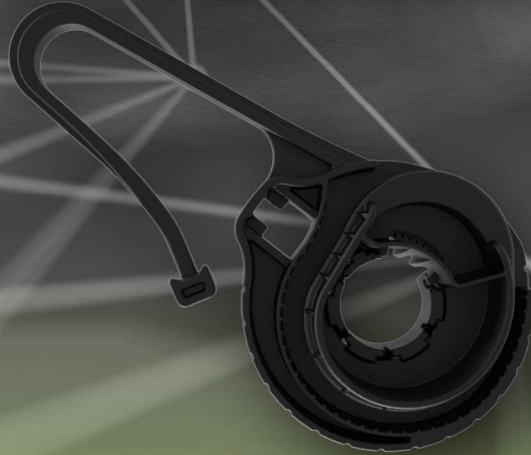
- The Loop Dome Joint is designed to improve aesthetic appeal on aerial networks in suburbia.
- The Joint can be secured with a padlock.
- The main splice & loop assembly is supplied separate from the base and clips onto the base with a single motion. This enables the technician to prepare the mid-span access loop with ease and speed.
- The loop basket accommodates cable with up to 12 fiber elements with a storage capacity of 1 600mm of 2.0mm fiber elements.
- The splice tray can fit either 24F heat shrink splices (2.4mm) double stacked or 12F mechanical splices including a single PLC Splitter (4x4x40mm) from 1:2 to 1:16 split ratio. Fiber elements are secured to the splice tray using standard cable ties.
- The adapter tray/patch panel can fit 5 off SC SX adapters or 5 off LC DX adapters including 5 cable landings. Drop cables are secured using cable ties.
- Five round single mechanical entry ports (3-5mm) and 1 oval mechanical entry port (8-16mm) comprises the base.
- A cable twist block is supplied to provide additional lateral support to the mid-span cables entering through the oval port, effectively limiting any movement of the cables inside the dome.

# RAPID-HOLD



# RAPID-HOLD

A revolutionary dead-end clamp for drop cable, featuring an innovative Cam and lock-release system. 7Twenty's unique Rapid-Hold is designed to secure drop cable and eliminate the need for multiple dead end sizes.



## Features

- A robust product.
- No additional tethered components.
- Constructed from reinforced and UV stabilized thermoplastic.
- Metal free components.
- Rapid, easy and tool-free installation.

The wedge system evenly distributes cable loads, reducing stress concentrations and maximizing overall cable performance.

The ratchet empowers installers to release the cam and readjust cable sag, tension to meet network specifications seamlessly.

# RAPID-STOR

MULTI-PURPOSE CABLE SLACK MANAGEMENT SYSTEM



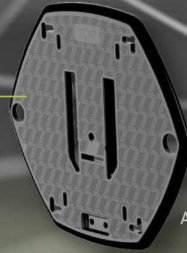
# RAPID-STOR

## MULTI-PURPOSE CABLE SLACK MANAGEMENT SYSTEM

As part of our Rapid Deployment System the Rapid-Stor purposefully organizes network poles to reduce clutter and unsightly cable management whilst increasing the rate of deployment in order to reduce total cost of implementation.

### Equipment Mounting Plate

Drill holes for pre-located punch holes or use prelocated slots  
Detachable equipment mounting plate enables ground service management



### Cable Coils

Combines both access network and customer drop cables in one central hub



Additional storage of 52 meters of drop cables  $\leq 5.5\text{mm } \varnothing$



Storage for min. 16 meters of cable up to  $10\text{mm } \varnothing$  behind retaining claws



426mm

426mm

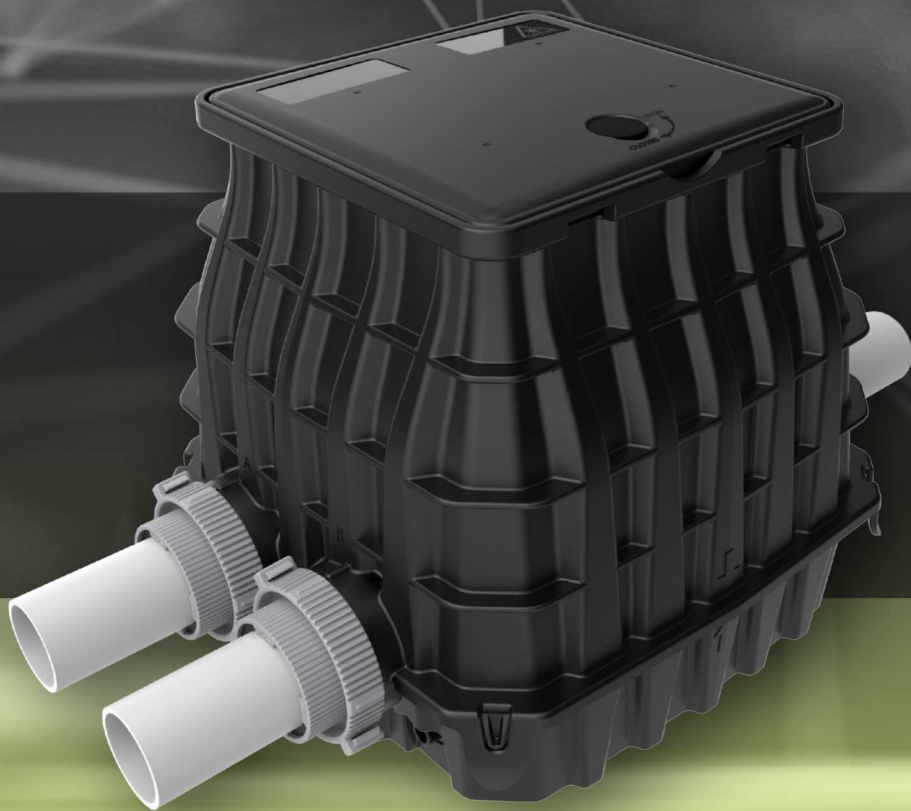
The Rapid-Stor functions in conjunction with a monopole suspension bracket to anchor the network distribution cable

## Features

- Detachable equipment mounting plate enables ground service management.
- Pre located slots, alternatively drill new holes for bespoke enclosures.
- Storage for min. 16 meters of drop cables up to  $10\text{mm } \varnothing$  behind retaining claws.
- Additional storage of 52 meters of drop cables up to  $\leq 5.5\text{mm } \varnothing$ .
- Combines both access network and customer drop cables in one central hub.
- UV stable material suitable for outdoor environment.
- Integrated steel strap pole mounting system or optional coach screw.
- Optional velcro or ip tie slots to secure cable coil.
- 6 x Drop cable D-ring hardpoints to secure cable dead-ends to a maximum tensile load of 490N per D-ring.

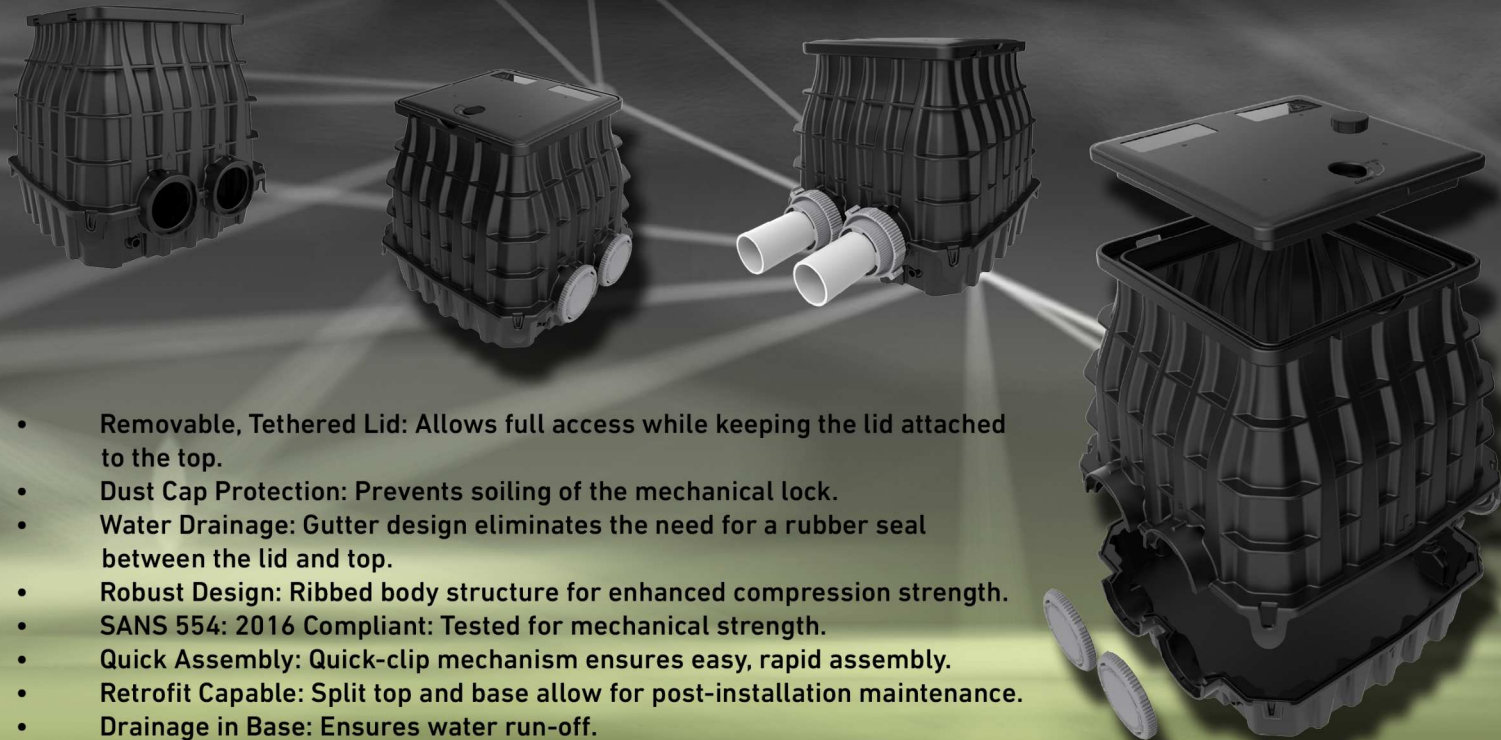


UG 300



# UG300

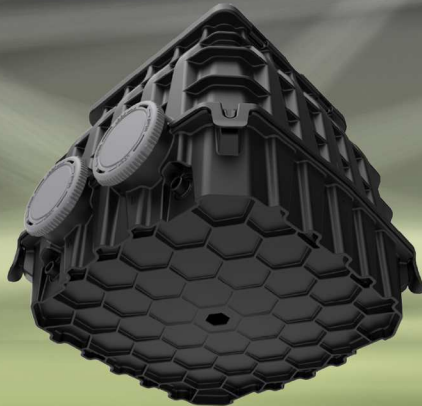
The UG300 is an underground mini handhole that provides easy access to feeder & distribution cables and or ducts. The UG300 allows for mid-span breakout from distribution cable, or duct, to the customer premises for FUTH/FTTB network deployment. The UG300 configured to house enclosures and or cable slack.



- **Removable, Tethered Lid:** Allows full access while keeping the lid attached to the top.
- **Dust Cap Protection:** Prevents soiling of the mechanical lock.
- **Water Drainage:** Gutter design eliminates the need for a rubber seal between the lid and top.
- **Robust Design:** Ribbed body structure for enhanced compression strength.
- **SANS 554: 2016 Compliant:** Tested for mechanical strength.
- **Quick Assembly:** Quick-clip mechanism ensures easy, rapid assembly.
- **Retrofit Capable:** Split top and base allow for post-installation maintenance.
- **Drainage in Base:** Ensures water run-off.
- **Lockable:** Mechanical lock with a universal key for security.
- **Port Flexibility:** Variable-sized port caps (8mm to 50mm) and a split cap for retrofitting over existing plant.



Integrated Lock  
with Cover



Drainage Hole



Access Point Caps



Unique Security Key



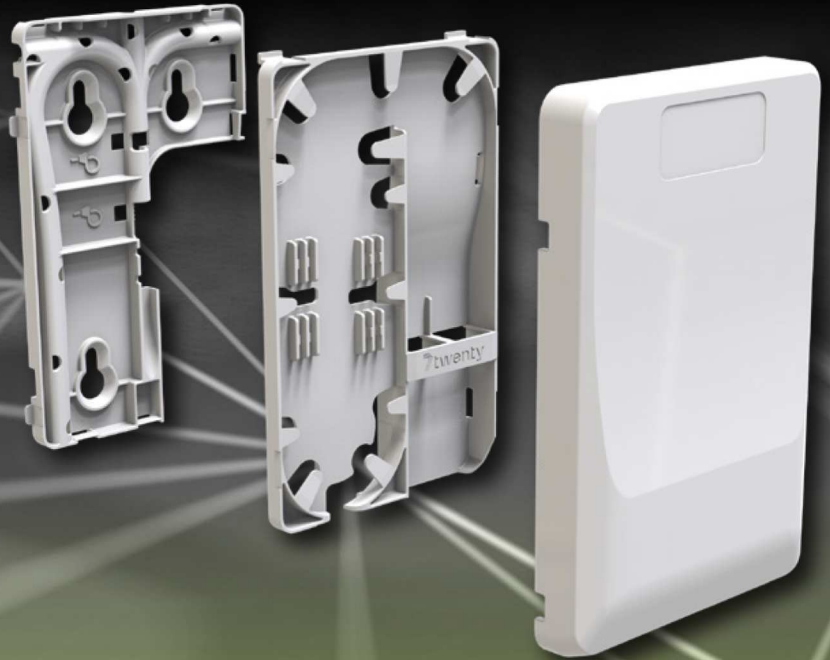
# CONNECT POINT



# CONNECT POINT

The 7twenty Connect Point is an indoor fiber termination masterpiece combining elegance with rapid installation for FTTH and FTTB.

The fascia has been designed for the discerning customer yet is mindful of the physical placement & application of the product.



## Features

- The 7Twenty Connect Point enclosure consists of 3 separate parts: a mounting frame, splice tray & elegant fascia cover.
- The mounting frame is a separate part which is aimed at assisting technicians to easily install, secure & strip cable. There are no visible fasteners.
- It is perfect for FTTH or FTTB installations where the installer needs to provide a final connection point for up to 4 fibres. It has 2 ports that can take LC Duplex or SC Simplex adapters.
- Fiber routing is positively managed to a 20mm bend radius to accommodate all bend incentive fibers found at this point in the network.
- The splice tray allows for intelligent fibre routing, enabling the bare fibre to transition effortlessly onto the storage gateway.
- Our patented fibre-retaining tabs keep unruly fiber in their tracks.
- Custom labelling or branding can be added to the fascia providing brand awareness for ISP's & FNO's.
- The fascia lip, situated at the patch cord exit, has been designed to assist with anchoring the fiber connector, which in turn reduces risk of accidental damage.
- It's ideal for the decerning home or business owner since the overall depth of the Connect Point reduces the risk of damage from accidental bumping.

# CONNECT TERMINAL



# CONNECT TERMINAL



The Connect Terminal is an indoor, customer wall outlet that is designed to fit any 4x4 surface wall box. It allows for splicing of 2 fibers and can fit 1 x SC simplex (LC duplex) adaptor. In addition, the Connect Terminal houses two ports for either 2 x coaxial cables or 2 x LAN cables or a combination of both.

## Features

- The Connect Terminal is made from fire retardend white ABS.
- The removable fascia is secured in 4 locations with clips that can be released with a standard flat screwdriver . There are no visible fasteners.
- The outlet fits securely to any 4x4 surface wall box.
- Two break out areas allow the user to use the Connect Terminal as an outlet for fiber ,as well as coaxial and/or ethernet cables.
- The low profile against the wall and the angle of cable exit allows for the Connect Terminal to sit easily behind furniture and pose no obstacle whilst cleaning.
- The clean aesthetics of the Connect Terminal will suit any modern home.
- Customers can place their branding on the fascia.

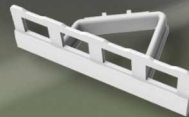


# NID FIBER BOX

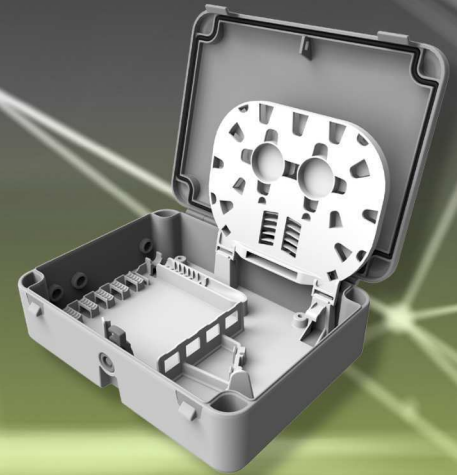


# NID FIBER BOX

The NID (Network Interface Device) Fiber Box is an IP 55 termination point, installed as outside plant on walls and fences in the FTTx distribution network. NID Fiber Box accommodates 10 F splices with 2.4 mm HS splice protectors or 5F mechanical splices. Up to 4 SC SX or LC DX adaptors can be fitted onto the base plate to patch onto a pre-connectorized drop cable. The NID Fiber Box can be used as a demarcation point segregating the customer drop from the network, thus creating flexibility to test and pinpoint faults without having to access the customer's premises.



Adaptor Plate

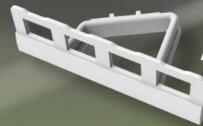


## Features

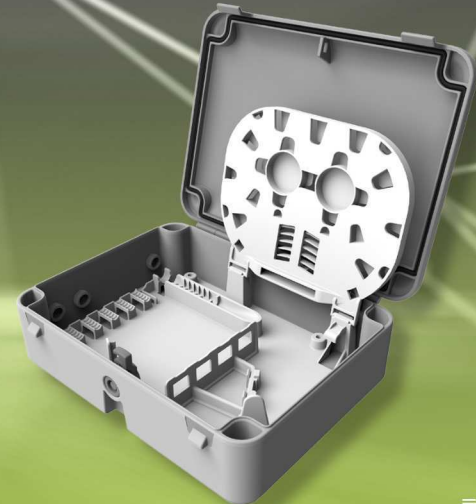
- The NID Fiber Box can be branded with the customer's logo. The lid has two clip latches and a mechanical lock with universal key for security.
- Ingress protection is rated to IP55 and is suitable for above surface, outdoor installation.
- The base plate is fitted with a single element splice tray for up to 10F heat-shrink splices or 5F mechanical splices, including a PLC splitter bay to fit a single 4x4x40mm splitter module.
- An additional adaptor plate is available to accommodate up to 4 SC Sx or LC DX adaptor
- The base has 4 anchor points one on each corner which is covered by the lid. The anchor points is also used to attach the optional palisade fence bracket.
- Various cable inserts are available upon request

# NID FIBER BOX WITH PG GLANDS

The NID (Network Interface Device) Fiber Box is a termination point, installed as outside plant on walls and fences in the FTTx network. The NID Fiber Box accommodates 10F splices with 2.4mm HS splice protectors or 5F mechanical splices. The splice tray incorporates a splitter bay. Up to 4 SC SX or LC DX adaptors can be fitted onto the base plate to patch onto a pre-terminated drop cable. The NID Fiber Box can be used as a demarcation point segregating the customer drop from the network, thus creating flexibility to test and pinpoint faults without having to access the customer's premises. The base has 4 knock-outs and PG glands, with O-rings, are supplied to provide a water-tight seal at the cable entries.



Adaptor Plate



## Features

- The NID Box lid can be branded with the customer's logo. The lid has two clip latches and a mechanical lock with universal key for security.
- Ingress protection is rated to IP68 and can be used in underground chambers.
- The base plate is fitted with a single element splice tray for up to 10F heat shrink splices or 5F mechanical splices, including a PLC splitter bay to fit a single 4x4x40mm splitter module.
- An additional adaptor plate is available to accommodate up to 4 SC SX or LC DX adaptors
- The base has 4 anchor points one on each corner which is covered by the lid. The anchor points is also used to attach the optional palisade fence bracket.
- The bottom of the base is fitted with 4 knock-outs to fit PG glands, 1 entry and 3 exit glands. Cables and/or duct can be secured to the base plate using standard cable ties.

# NID FIBER BOX

WITH PG GLANDS





# NID SLACK STORAGE BOX



# NID SLACK STORAGE BOX

The NID Slack Storage Box is a versatile storage box deployed in the FTTx network. The box can be used to store the slack from pre-terminated drop cables or fiber modules at the end of a riser cable. The storage box is supplied with split rubber seals, but PG glands can be used instead to achieve an IP65 rating. Made from UV Stabilized material the box is suitable for outdoor and indoor use.



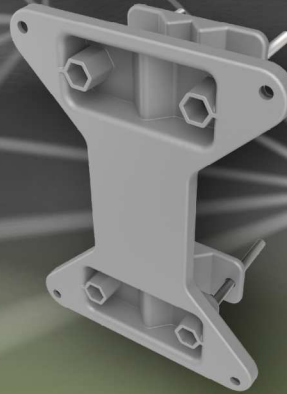
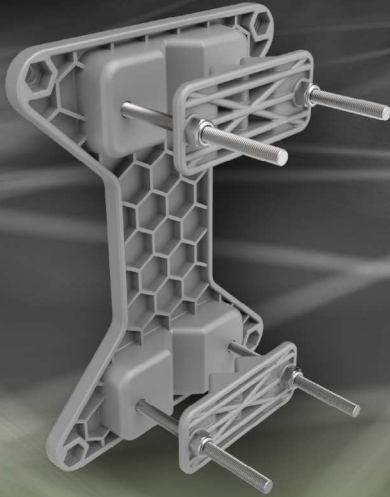
## Features

- The NID Slack Storage Box lid can be branded with the customer's logo. The lid has two clip latches and a mechanical lock with universal key for security.
- Ingress protection is rated to IP55 and is suitable for above surface, outdoor installation.
- The base plate is fitted with a slack storage tray which can hold up to 15m of cable 5.0mm in diameter.
- The base has 4 anchor points one on each corner which is covered by the lid. The anchor points is also used to attach the optional palisade fence bracket. Cable entries accommodate cable diameters from 2.0 - 12.0mm.



# FENCE BRACKET

The NID Fiber Box Fence Bracket is a useful accessory that fits the NID Fiber Box including its variants). The main purpose is to enable a NID Fiber Box to be mounted to just about any type of fencing including palisade fencing, round bar or square tube fencing. The Fence Bracket is supplied with the necessary stainless steel fasteners for convenient assembly.



## Features

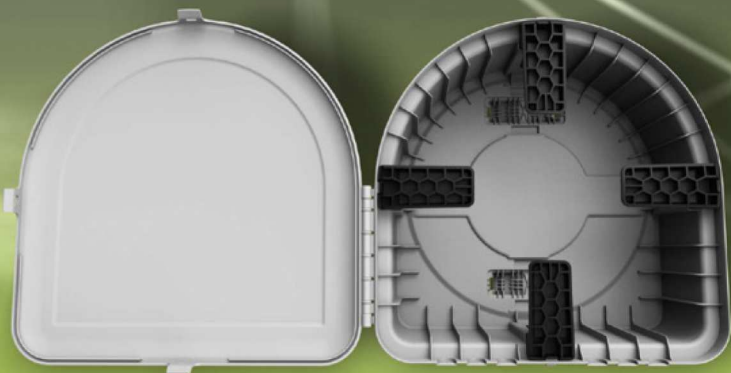
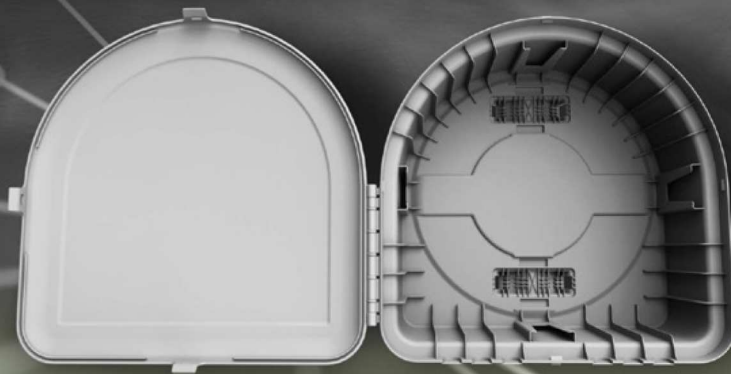
- The back plate is easily fastened to the NID Fiber Box (and its variants) by using the M6x25mm cap screws and hex nuts.
- The rear support mountings are specifically shaped to fit palisade fencing, round bar fences and can fit other types of fencing as well.
- Hex shaped seating, on the back plate, supports the rear mounting bolts for a slip free fastening of the lock nuts.
- Using ASA material the NID Fiber Box Fence Bracket is robust and UV stabilized.
- The main assembly components are non metallic to eliminate corrosion. Stainless steel fasteners are included to prevent corrosion of the metallic components.

# AERIAL SLACK BIN



# AERIAL SLACK BIN

The Aerial Slack Bin is a pole mounted enclosure to conceal aerial cable slack. The Slack Bin is designed to also safely secure the cable even once the lid has been opened, making it safer for the technician to work with at heights.

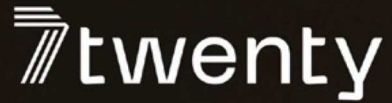


# AERIAL SLACK BIN



## Features

- The Aerial Slack Bin is UV stabilised and supplied in grey or black
- The lid is hinged and secured with 3 clips. The lid can be opened and closed with a one hand action.
- The base is fitted with two rear mounted pole support brackets to form a good grip on the pole.
- There are 4 removable cable slack securing brackets inside the base. Once the slack coil is read to be stowed then the brackets can be removed to get easy access. The slack brackets clip into position.
- There are 6 knock out ports at the bottom of the base for incoming and outgoing cable. Split grommets can be cut to the cable diameter and slipped into the knock outs to form a seal.
- The Aerial Slack Bin can hold up to 25m of loomed cable slack for cables up to 10mm in diameter.
- An optional galvanised pole mount bracket is inserted from inside the base of the bin and fastened around the pole from the rear.
- The optional galvanised pole mount bracket is provisioned to mount the FTTx Loop Dome Joint as well. This neatens the pole installation with a back-to-back system and makes the equipment aesthetically pleasing
- Customers can place their branding on the lid
- The slack bin is supplied with 2 pole mount brackets that are fastened to the pole with steel strapping



# Let's connect

## Sales

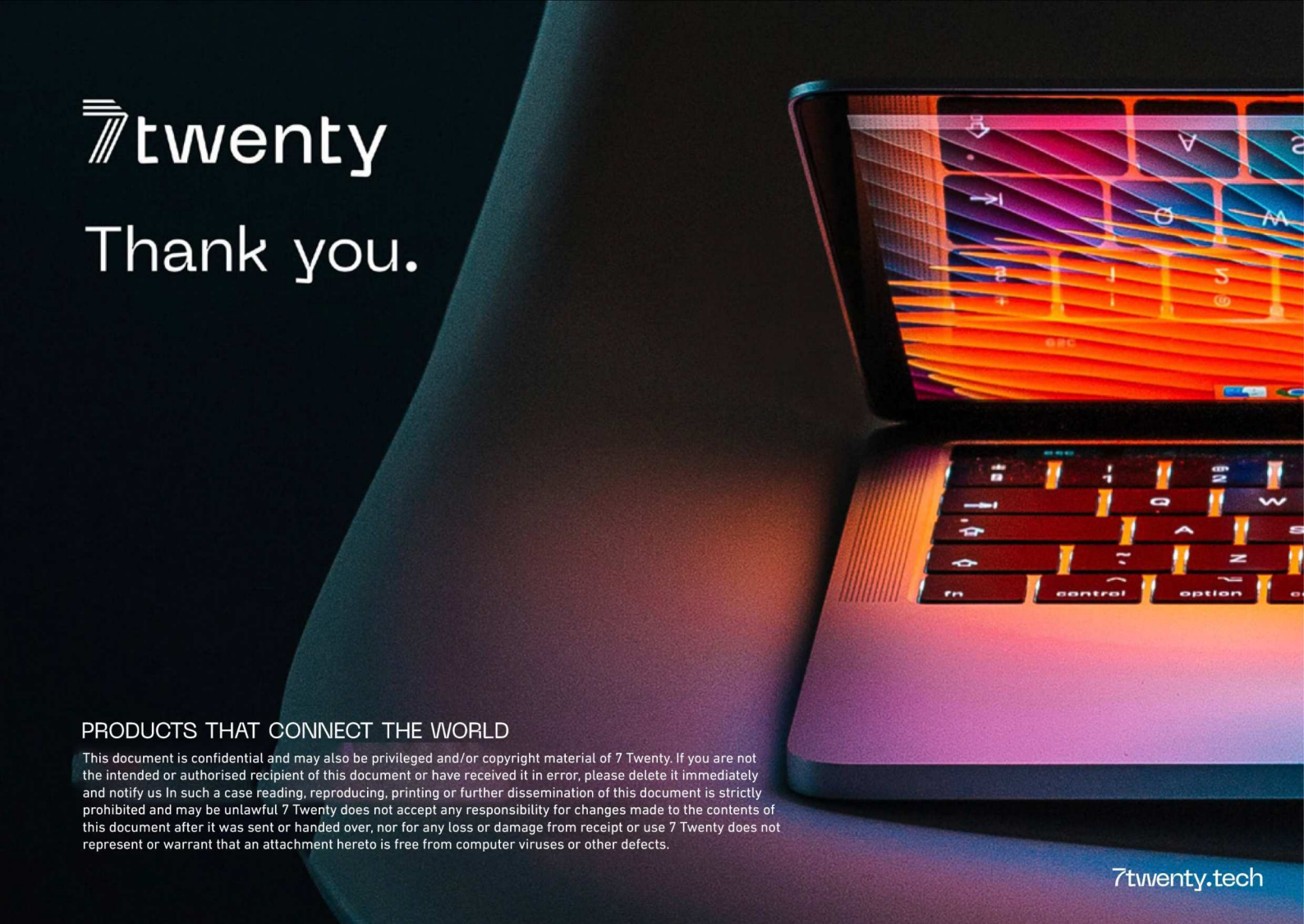
+27 11 708 4755  
Sales@7twenty.tech



**PIMMS Group (Pty) Ltd**  
REG: 2005/009971/07 | VAT: 4330192768  
+27 11 708 4755 | sales@7twenty.tech

1050 Liner Avenue, Corner Zeiss Road,  
Laser Park, Honeydew, Johannesburg, South Africa  
Postnet Suite 257, Private BagX18, Northriding, 2162

7twenty.tech



**7twenty**  
Thank you.

## PRODUCTS THAT CONNECT THE WORLD

This document is confidential and may also be privileged and/or copyright material of 7 Twenty. If you are not the intended or authorised recipient of this document or have received it in error, please delete it immediately and notify us. In such a case reading, reproducing, printing or further dissemination of this document is strictly prohibited and may be unlawful. 7 Twenty does not accept any responsibility for changes made to the contents of this document after it was sent or handed over, nor for any loss or damage from receipt or use. 7 Twenty does not represent or warrant that an attachment hereto is free from computer viruses or other defects.

7twenty.tech